

Profile Systems

Architectural Building Products

Doormat

manual parking lock

Type: LP1

- Description: manual parking lock
Sometimes we can find our own parking space taken by someone else "by mistake" and get into the annoying situation to have to park somewhere else.

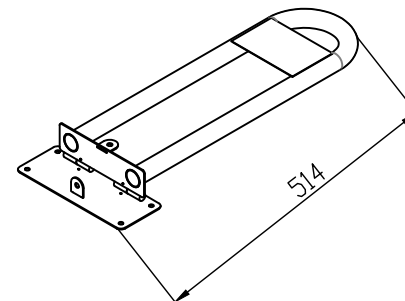
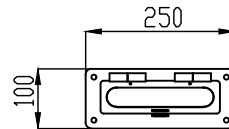
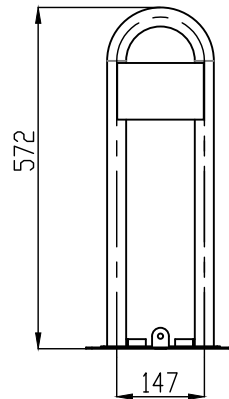
To avoid these inconveniences, we recommend to protect your own parking space in every moment by choosing from the large variety of DOORMAT car parking locks .

With the car parking locks and barriers which are easily to install , we will give the security and protection necessary to avoid third parties to park "by mistake".

Secure and protect your parking spot with a manual parking lock.
This manual car space protector is the simple solution to protect your parking space and guard it from unauthorized use.
Also known as a manual parking bollard.

Painted parking barrier with 2 legs for fixing.
Simple and efficient closing system with padlock (supplied).
Suitable for outdoor and indoor.
We advice to install it 1 meter inside the parking limit to avoid being hit by other vehicles when parking.

| | |
|-----------------------|---------------|
| Parking Position Lock | Model LP1 |
| Size | 360*500*600mm |
| Locking High | 500mm |
| Net Weight | 4.86kg |



Customer :

design by : kaheh

Project code : LP1

Sales Rep :

DOORMAT **دورمات**